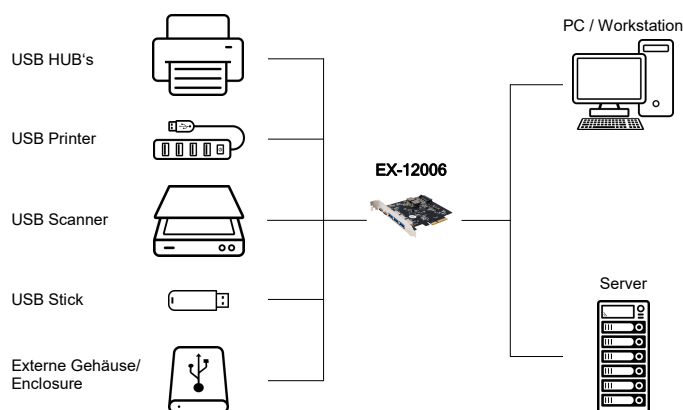


Bild / Picture



5 Port USB 3.2 Gen 2x1 PCIe (x4) Karte mit 3x A- und 2x C Anschluss (Asmedia)

Anwendung / Application



5 Port USB 3.2 Gen 2x1 PCIe (x4) board with 3x A- and 2x C connectors (Asmedia)

Beschreibung

Die EX-12006 USB 3.2 Gen 2x1 mit PCIe Slot (Gen3x4) Karte stellt fünf Externe Super-Speed+ USB 3.2 Gen 2x1 Ports mit 3x A- und 2x C Buchse zur Verfügung. Sie ist entwickelt worden um zwei weitere USB 1.1, 2.0, 3.0 und 3.2 Gen 2x1 Endgeräte an Ihre Workstation, Desktop oder Server anzuschließen. Sie unterstützt USB 1.1 Low-Speed (1.5Mbps), Full-Speed (12Mbps), USB 2.0 High-Speed (480Mbps), USB 3.0 Super-Speed (5Gbps) und USB 3.2 Gen 2x1 Super-Speed+ (10Gbps). Sie ist die perfekte Technologie für Externe Speicher Gehäuse, Digitale Kameras, Webcam, Scanner und mehr. Die EX-12006 unterstützt 3.0A Strom am Externen USB 3.2 Gen 2x1 Ports mit C Anschluss.

Description

The EX-12006 USB 3.2 Gen 2x1 with PCIe Slot (Gen3x4) card provides five external Super-Speed+ USB 3.2 Gen 2x1 ports with 3x A- and 2x C socket. It is designed to connect two additional USB 1.1, 2.0, 3.0 and 3.2 Gen 2x1 devices to your workstation, desktop or server. It supports USB 1.1 Low-Speed (1.5Mbps), Full-Speed (12Mbps), USB 2.0 High-Speed (480Mbps), USB 3.0 Super-Speed (5Gbps) and USB 3.2 Gen 2x1 Super-Speed+ (10Gbps). It is the perfect technology for External Storage Enclosures, Digital Cameras, Webcam, Scanner and more. The EX-12006 supports 3.0A current on the External USB 3.2 Gen 2x1 C port.

Merkmale

Features

<ul style="list-style-type: none"> • USB 3.2 Gen 2x1 PCIe x4 Karte mit drei A-Buchsen und zwei C Buchse 	<ul style="list-style-type: none"> • USB 3.2 Gen 2x1 PCIe x4 card with three A-female and C female connector
<ul style="list-style-type: none"> • Kompatibel mit USB 3.1 Rev. 1.0 und Intel xHCI Rev. 1.0 Spezifikationen 	<ul style="list-style-type: none"> • Compliant with USB 3.1 Rev.1.0 and Intel xHCI Rev. 1.0 specification
<ul style="list-style-type: none"> • Kompatibel mit PCI-Express Gen3 Spezifikationen 	<ul style="list-style-type: none"> • Fully PCI Express Gen3 Specification Compliant
<ul style="list-style-type: none"> • Kompatibel mit USB Attached SCSI Protokoll Rev. 1.0 	<ul style="list-style-type: none"> • Compatible with USB Attached SCSI Protocol Rev. 1.0
<ul style="list-style-type: none"> • Unterstützt „Hot Swapping“ und „Plug-and-Play“ 	<ul style="list-style-type: none"> • Supports “Hot Swapping” and “Plug-and-Play”
<ul style="list-style-type: none"> • Unterstützt am Ausgang A Buchse: 0.9 Ampere / 5 Volt / 4.5 Watt • Unterstützt am Ausgang C Buchse: 3.0 Ampere / 5 Volt / 15.0 Watt 	<ul style="list-style-type: none"> • Supports at A female port: 0.9 Amper / 5 Volt / 4.5 Watt • Supports at C female port: 3.0 Amper / 5 Volt / 15.0 Watt
<ul style="list-style-type: none"> • Unterstützt bis zu 127 USB Geräte (USB 1.1, USB 2.0, USB 3.0 und USB 3.2 Gen 2x1) 	<ul style="list-style-type: none"> • Supports up to 127 USB devices (USB 1.1, USB 2.0, USB 3.0 and USB 3.2 Gen 2x1)

System / OS

Geprüft / Approved

Verpackung / Packaging

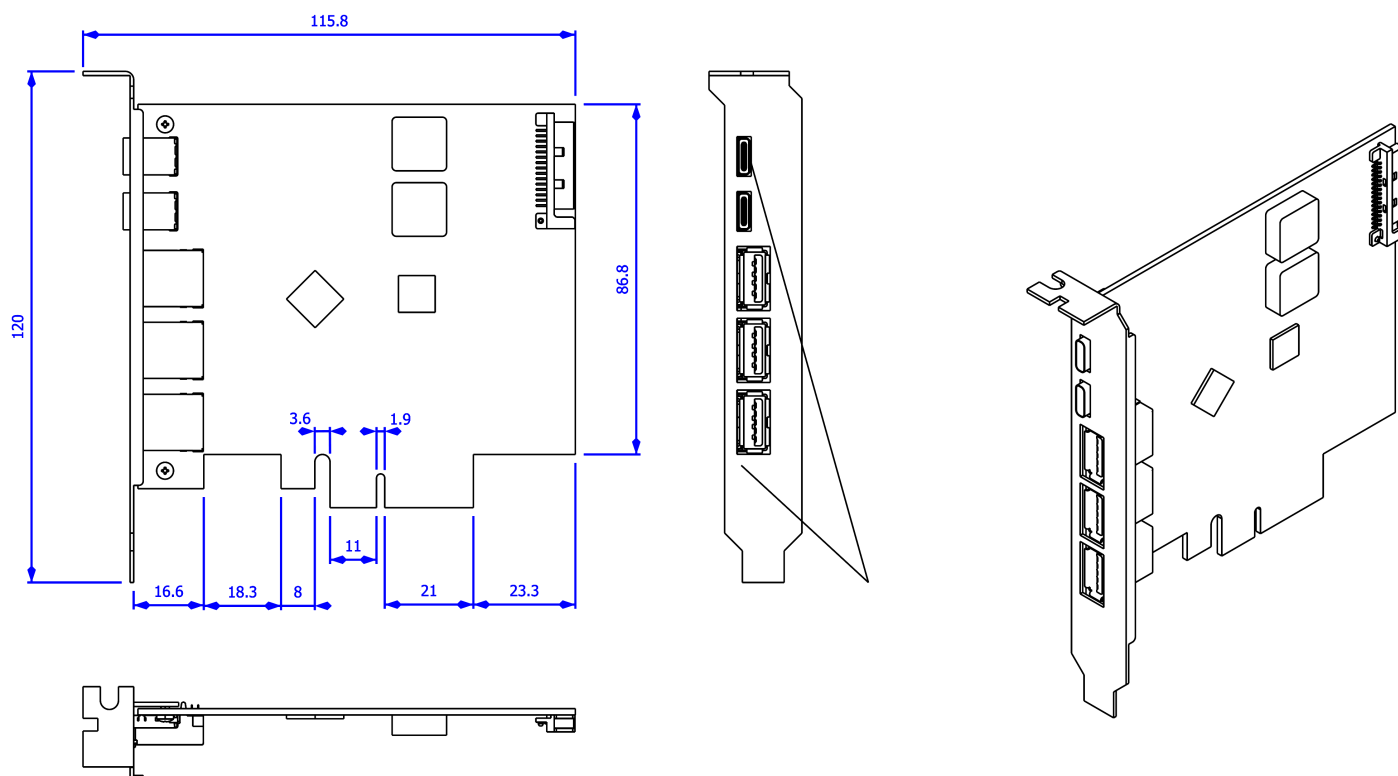


Spezifikation

Specification

Chip-Set:	ASMEDIA ASM3142	Chip-Set:	ASMEDIA ASM3142
Datentransfer-Rate:	1.5Mbps (Low-Speed) / 12Mbps (Full-Speed) 480Mbps (High-Speed) / 5Gbps (Super-Speed) 10Gbps (Super-Speed+)	Data transfer rate:	1.5Mbps (Low-Speed) / 12Mbps (Full-Speed) 480Mbps (High-Speed) / 5Gbps (Super-Speed) 10Gbps (Super-Speed+)
Anschlüsse:	3 x Externe USB 3.2 Gen 2x1 Type A Buchse 2 x Externe USB 3.2 Gen 2x1 Type C Buchse 1 x SATA Stromstecker	Connectors:	3 x External USB 3.2 Gen 2x1 Type A female 2 x External USB 3.2 Gen 2x1 Type C female 1 x SATA Power connector
Hardwaresysteme:	PCIe x4 bis x16 Slot	Hardware system:	PCIe x4 up to x16 slot
Betriebssysteme:	Win XP/Vista/7/8.x/10/11 (32&64-Bit), Linux 3.5 oder höher, Mac OS X	Operating systems:	Win XP/Vista/7/8.x/10/11 (32&64-Bit), Linux 3.5 or higher, Mac OS X
Betriebstemperatur :	0°C bis +55°C	Operating temperature :	32°F up to 131°F
Lagertemperatur:	-20°C bis +85°C	Storage temperature:	-20°F up to 167°F
Rel. Luftfeuchtigkeit:	5% bis 95%	Rel. Humidity:	5% to 95%
Stromversorgung:	Vom PCIe Bus oder über 15 Pin SATA Stecker	Power Supply:	From PCIe bus or over the 15 pin power connector
Abmessung:	103.70 x 86.80 mm	Size:	103.70 x 86.80 mm
Gewicht:	152 g	Weight:	152 g
EAN:	4718359120060	EAN:	4718359120060
Ursprungsland:	China	Country of origin:	China
Lieferumfang:	EX-12006, Handbuch	Packaging contents:	EX-12006, Manual

Maße / Dimension



Vergleichs Tabelle / Comparison Chart

Model No.	USB Schnittstelle/ USB Interface	Anschlüsse/ Ports	Anschlussstypen/ Connector(s)	Strom/ Power	Chip-Set Asmedia	Slots	Max. Speed	Low Profile
EX-12000	USB 3.2 Gen 2x1	2	2x C Buchse/female	2x 3.0A	ASM3142	X4 bis x16	10Mbps	✓
EX-12001-2	USB 3.2 Gen 2x1	2	2x A Buchse/female	2 x 0.9A	ASM3142	X4 bis x16	10Mbps	✓
EX-12002-1	USB 3.2 Gen 2x1	2	1x A Buchse/female 1x C Buchse/female	1x 0.9A 1x 3.0A	ASM3142	X4 bis x16	10Mbps	✓
EX-12003	USB 3.2 Gen 2x1	2	2x C Buchse/female	2x 3.0A	ASM3142	X2 bis x16	10Mbps	✓
EX-12004-2	USB 3.2 Gen 2x1	4	4x A Buchse/female	4x 0.9A	2 x ASM3142	X4 bis x16	10Mbps	-
EX-12005	USB 3.2 Gen 2x1	4	2x A Buchse/female 2x C Buchse/female	2x 0.9A 2x 3.0A	2 x ASM3142	X4 bis x16	10Mbps	-
EX-12006	USB 3.2 Gen 2x1	5	3x A Buchse/female 2x C Buchse/female	3x 0.9A 2x 3.0A	ASM3142	X4 bis x16	10Mbps	-
EX-12007	USB 3.2 Gen 2x1	5	2x A Buchse/female 3x C Buchse/female	2x 0.9A 3x 3.0A	ASM3142	X4 bis x16	10Mbps	-
EX-12011	USB 3.2 Gen 2x2	1	1 x C Buchse/female	1x 3.0A	ASM3242	X4 bis x16	20Mbps	✓

Bilder / Picture

